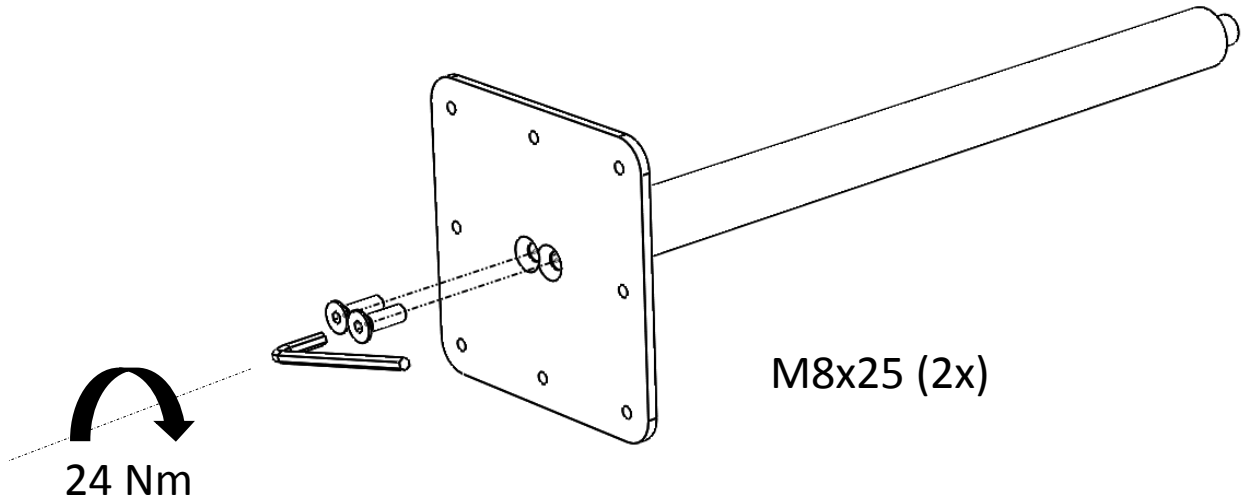


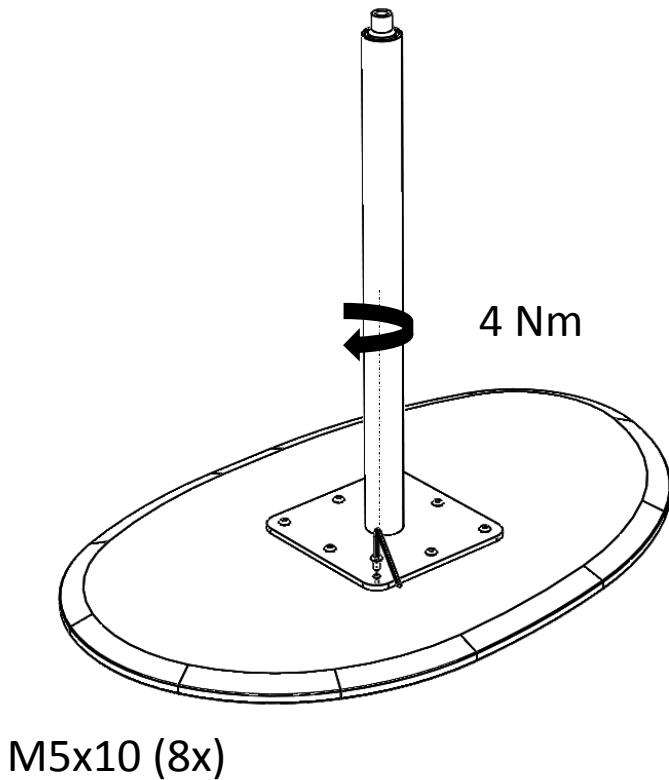
Wind table

Assembly instruction

1



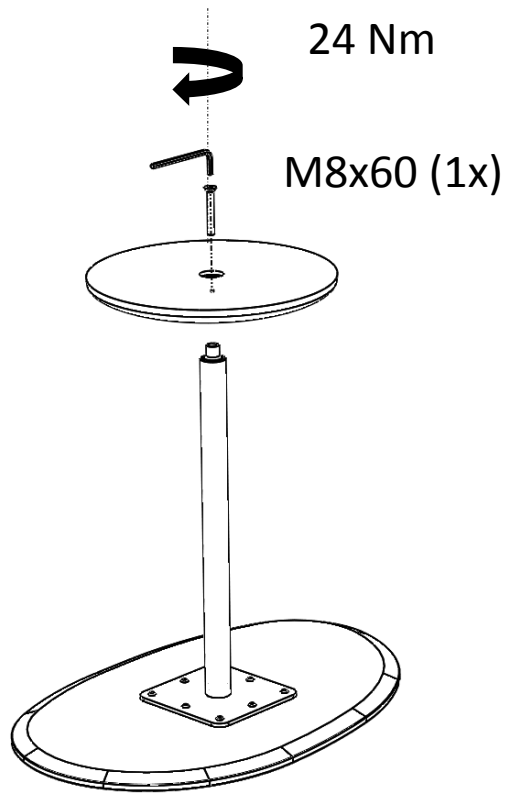
2



Wind table

Assembly instruction

3



4

